

Uranus Economy



Model Uranus 1050DS

Uranus Economy is a solid cast stove which produces a good heat.

The size of the stove window gives you a full view of the flames and produces a very pleasant warmth. This neat looking stove will fit into many living rooms or halls.

The stove is easy to manage with a single control and is also fitted with a fire/ rotating grid.

It is possible to connect an extra air flow at the rear of this stove.

The minimal length of wood for burning is 40 cm.

This stove will bring years of warmth and pleasure.

Technical information

Efficiency	: 80,2 %	Tested capacity	: 7 kW
Weight	: 123 Kg	Flue gas flow Wood	: 7,5 m (g/s)
Flue connection	: 150 mm	Pressure	: 12 p (Pa)
Flue gas temperature Wood	: 320 °C	Dust in mg.	: 32 mg/Nm ³
Capacity	: 6-8 kW		

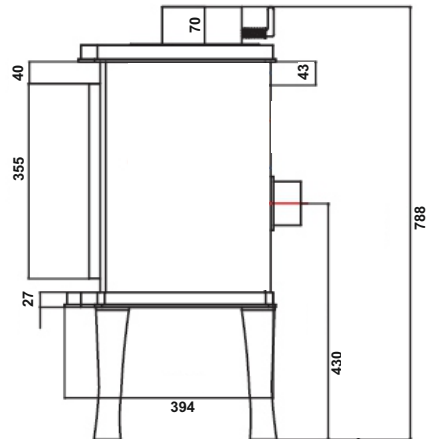
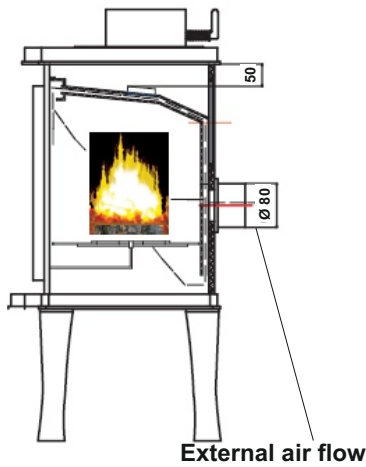
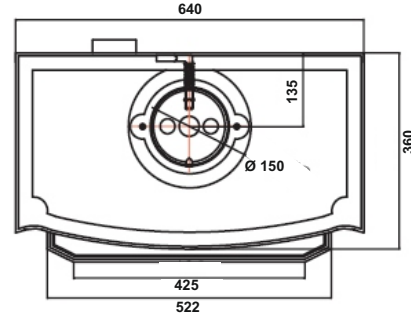
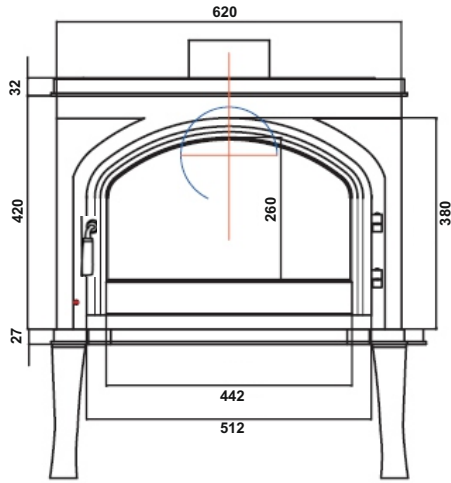
Energy rating:



Tested according to the following standards: gem. Art. 15a B-VG, BStV München, Regensburg, Stuttgart and Aachen, gem. DIN plus, Ö-Norm, CE norm,1.+2. BimschV. and Luftreinhalte-Verordnung Switzerland.

Uranus Economy

Drawings, measurements and technical information




Extra Details / Technical Information

Measurements in mm HxWxD	Fire place mm HxWxD	Fire opening in mm HxW	Stove window HxW	External air flow	Design	Fleu height pipe	1+ 2 BimschV	Capacity in cbm	Tested according	
780x640x400	280x550x230	200x500	260x420	yes	1	740	yes	180	13240	
Colour	Inside of fire	Fuel	Continuing/ time burning	Fire rotation grip	Ash pan	Fire/rotating grid	Primary air	Secondary air	O-Norm	Clean air act Switzerland
Black	Cast Iron	Wood/coal	Time burning	yes	yes	yes	yes	yes	yes	yes
Dust in Mg on 13% O ₂ : 32 mg/Nm ³		NOX: 118 mg/Nm ³		CO: 1125 mg/Nm ³		OGC: 58 mg/Nm ³		Anf. der Städte München, Aachen Stuttgart und Regensburg nach DIN plus		yes
Values converted: 20 mg/MJ		75 mg/MJ		669 mg/MJ		37 mg/MJ				

- Globe fire -

Globefire Ch.Leibfried GmbH, An der Bundesstraße 2,
D-49733 Haren / Ems, Germany

Tested stove Type 1: EN 13240: 2001+A2: 2007

Type	Stove Uranus ST-1050		
Declaration of performance Nr.	010-CPR-2013.06.10		
Test institute Number	1625		
Test-Nr.	RRF - 40071328		
Heat output / Energy efficiency	Fulfilled		
.Efficiency	80,2 %		
.Nominal heat output	7 kW		
.Room efficiency	7 kW		
.Heat output	6 - 8 kW		
Mechanic solidity	Fulfilled		
Surface temperature	Fulfilled		
Combustion products	CO-Emission: 1125 mg/Nm ³ - 669 mg/MJ		
.Flue gas temperature	268 °C		
Fire safety	Fulfilled		
.Fire behavior	A1		
.Minimal distance to flammable materials:	Side: 40 cm Rear: 20 cm Bottom: 0 cm Front stove window: 80 cm		
Fuel	Wood and coal Time burning		
Dust in Mg on 13% O ₂ : 32 mg/Nm ³	Nox: 118mg/Nm ³	CO: 1125 mg/Nm ³	OGC:58 mg/Nm ³
Values (converted): 20 mg/MJ	75 mg/MJ	669 mg/MJ	37 mg/MJ
VKF Switzerland	25281		
Reading and follow up of given guidelines in the manuel			
The connection of more stoves to one chimney is permitted			

Approved German tests and CE mark EN 13240:2001 + A2:2007, according DINplus and also according Art. 15A B-VG Ö-Norm Austria.
1. and 2. level 1. BimschV Germany and also Luftreinhalte-Verordnung Switzerland.